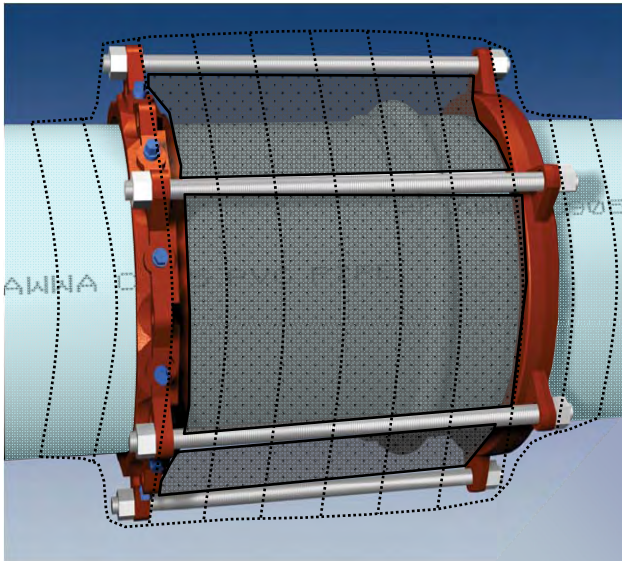


# Restrained Joint Pipe



**Bell Harness plus  
Denso Petrolatum Mastic and Tape**



**Fused Joint**