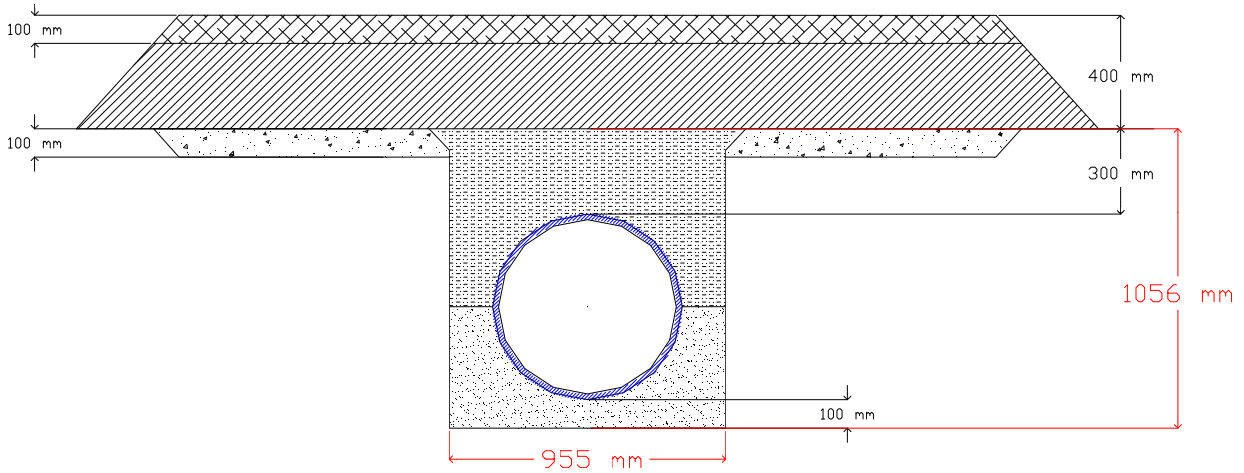


Trench Details

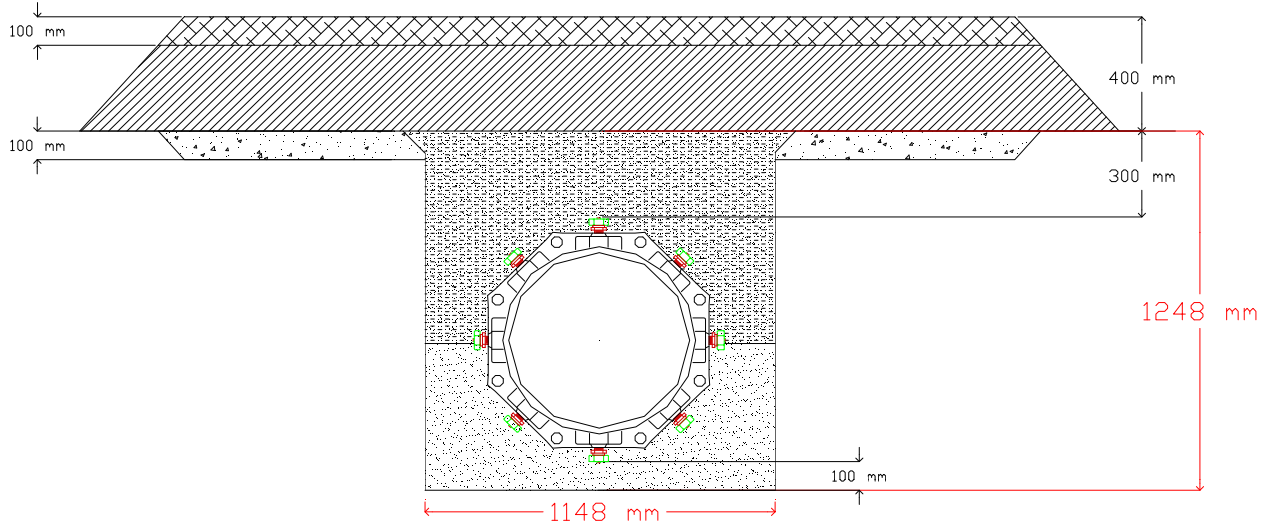
Pipe Description	Total Trench Volume (m ³)	Trench Volume Delta (m ³)
600 mm Fusible C-905®	5955	-
600 mm Tyton Joint DI	8460	2505
600 mm TR Flex / Thrust Lock	7366	1411
600 mm MJ/TJ DI	7366	1411

600 mm Fusible C-905®



	Width (m)	Depth (m)	Length (m)	Volume (m ³)
600 mm Fusible C-905®	0.96	1.1	5,905	5,955

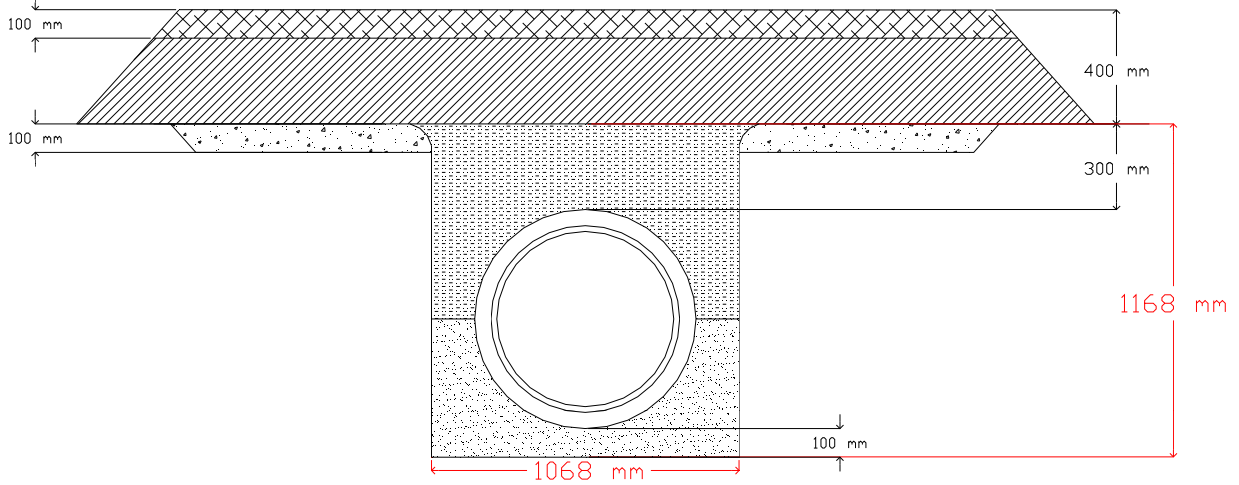
600 mm Tyton Joint Ductile Iron



	Width (m)	Depth (m)	Length (m)	Volume (m ³)
600 mm Ductile Iron	1.1	1.2	5,905	8,460

Trench Details

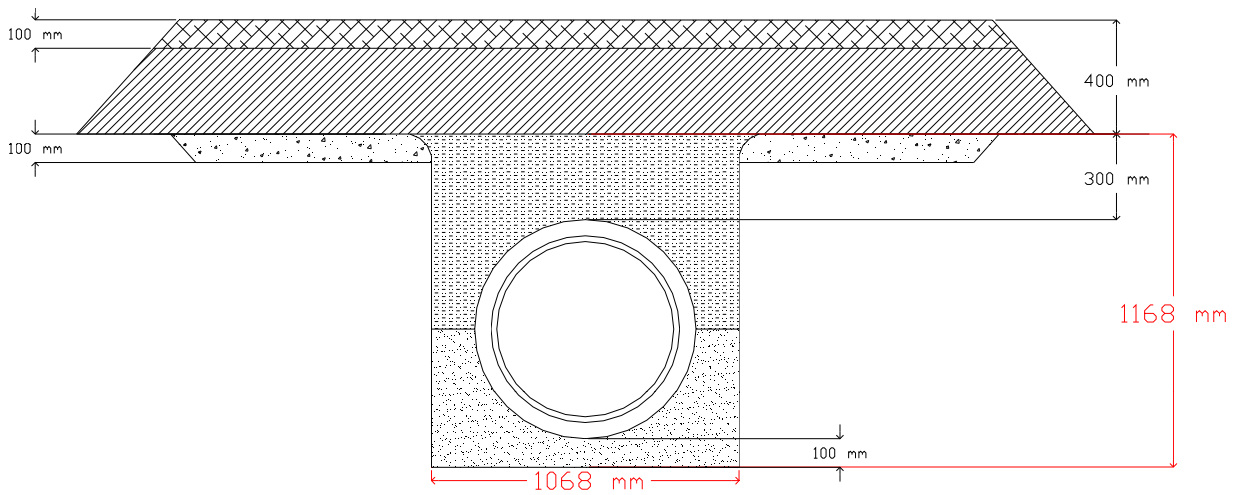
600 mm TR Flex/Thrust Lock Ductile Iron



	Width (m)	Depth (m)	Length (m)	Volume (m ³)
600 mm Ductile Iron	1.1	1.2	5,905	7,366

Trench Volume Difference	1,411
--------------------------	-------

600 mm MJ/TJ Ductile Iron



	Width (m)	Depth (m)	Length (m)	Volume (m ³)
600 mm Ductile Iron	1.1	1.2	5,905	7,366